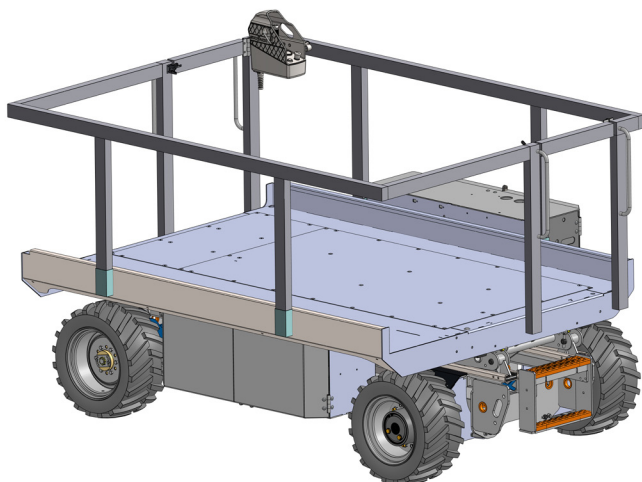
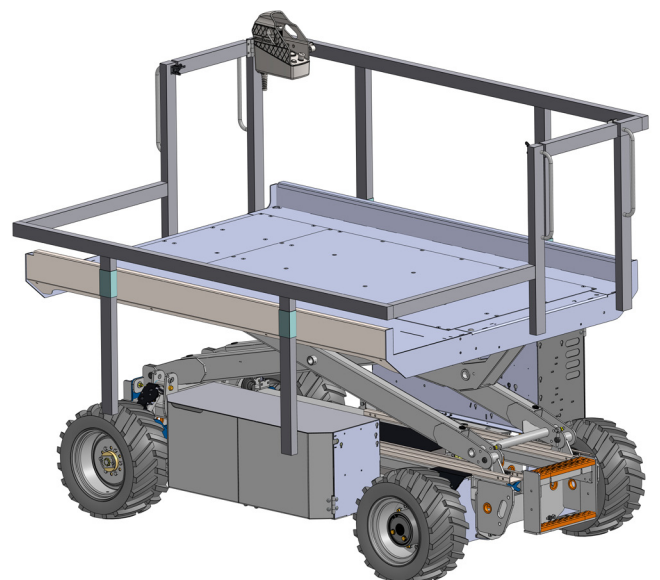


LOW HEIGHT SCISSOR PLATFORM



Platform Down and Rails Up



Platform Up and Rails Down

Specifications:

