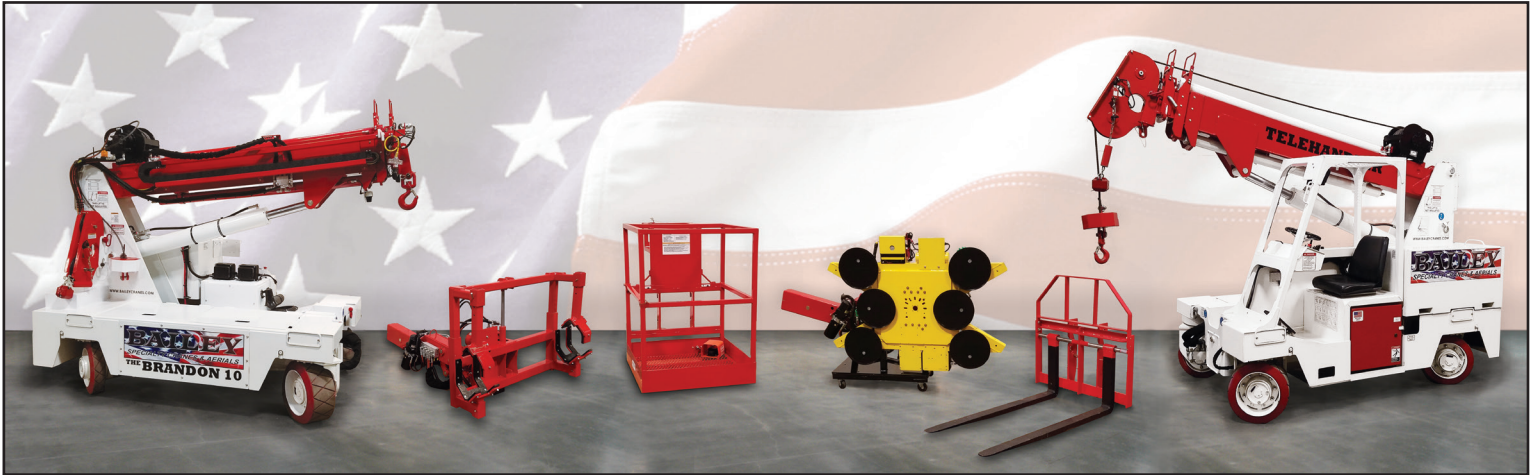


## THE BRANDON™ 10

*The World's Most Versatile Lifting Machine*



**Model:** Brandon 10 (with cab or no cab)

**Capacity:** 10,200 lbs

**Battery Power:** 35 HP AC Motor

**Steering:** Omni-Directional Drive

**Drive:** 2 Wheel Drive

**Charger:** On-board dual 110 Volts AC  
or optional external 480 Volts 3 Phase

**Boom:** Base unit, 2 telescoping booms and one manual pull-out boom. Attachments replace pull-out boom.

**Rated Load Limiter:** Displays rated load and actual load. Stops when overload is reached. Detects attachment and adjusts load parameters.

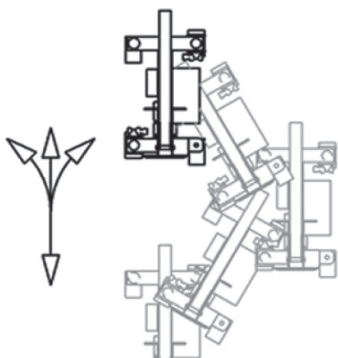
**Weight:** 10,500 Lbs + Attachment (with no cab)

ISO 9001:2015 REGISTERED MANUFACTURING COMPANY

### Omni-Directional Drive

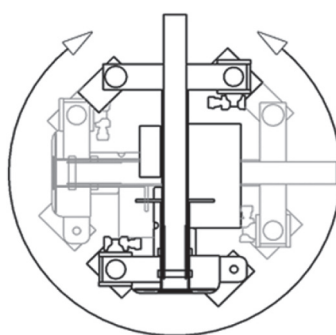
#### Two Wheel Steer

Typical front wheel steering like an automobile



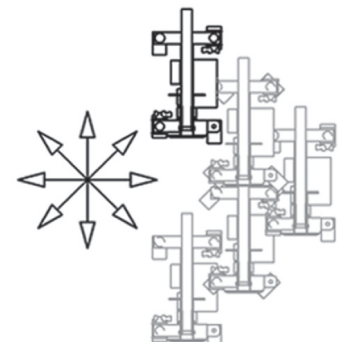
#### Spin Steer

Wheels rotate to a position so it rotates about its center



#### 90° Crab Steer

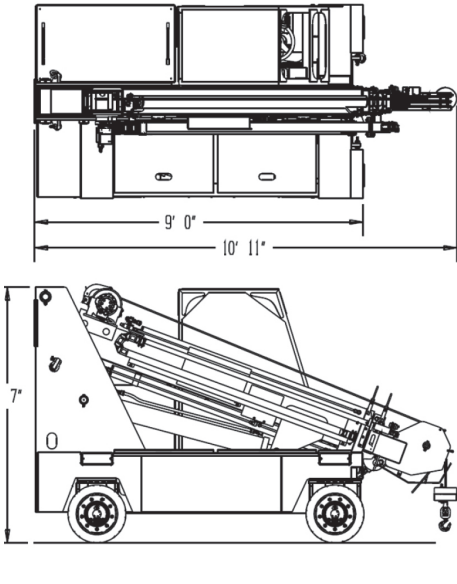
Wheels rotate 180° to provide sideways travel



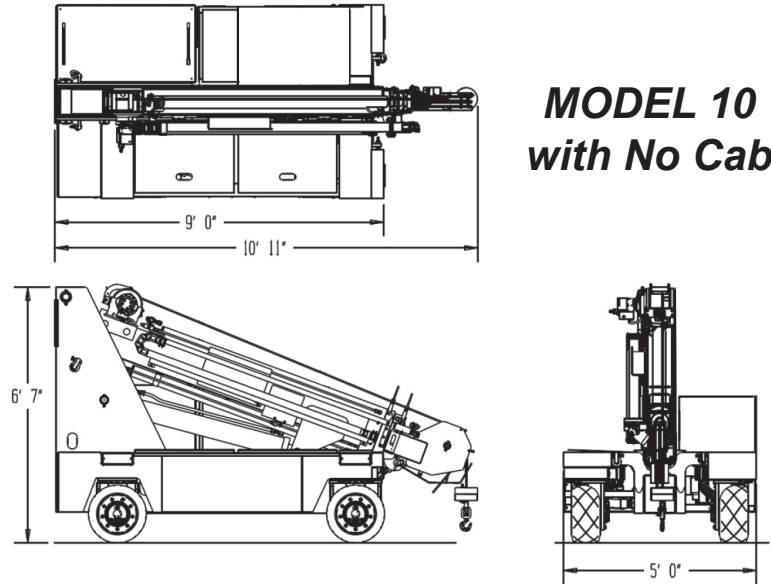
## LOAD CAPACITY CHARTS

\*\* MULTIPLE PATENTS PENDING\*\*

**MODEL 10  
with Cab**

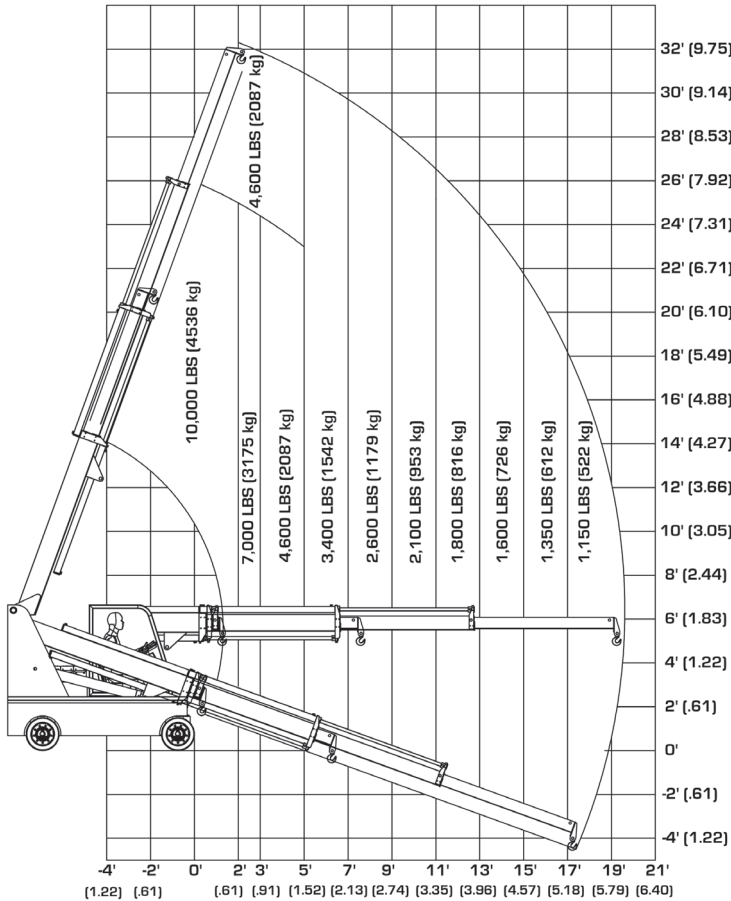


**MODEL 10  
with No Cab**



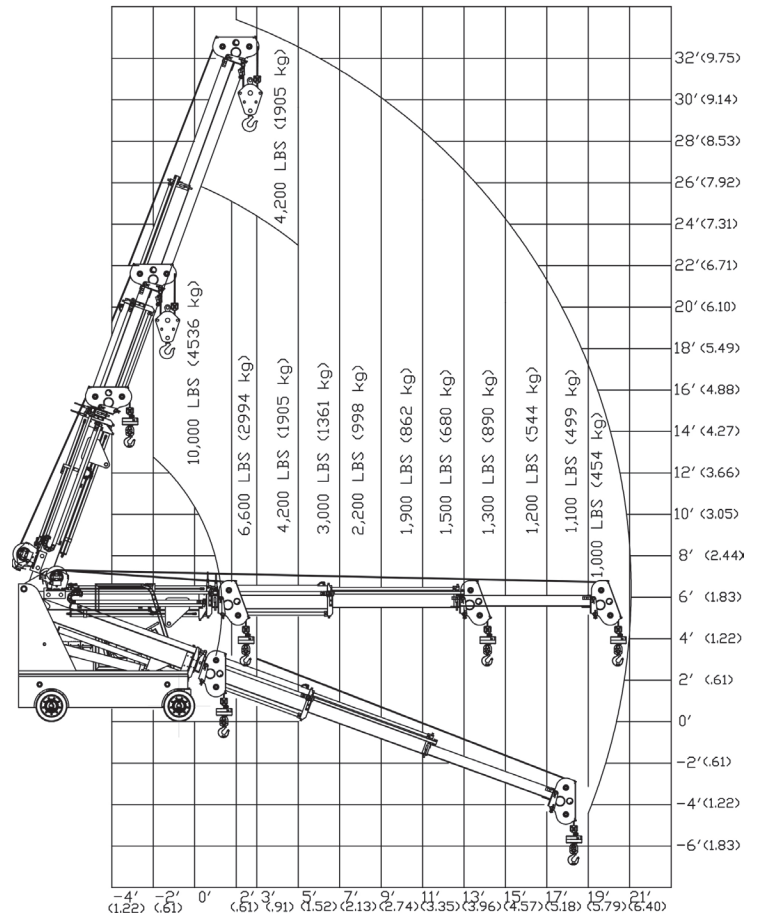
### HOOK

[1.22] (.61)    (.61) (.91) [1.52] [2.13] [2.74] [3.35] [3.96] [4.57] [5.18] [5.79] [6.40]  
-4' -2' 0'    2' 3' 5' 7' 9' 11' 13' 15' 17' 19' 21'

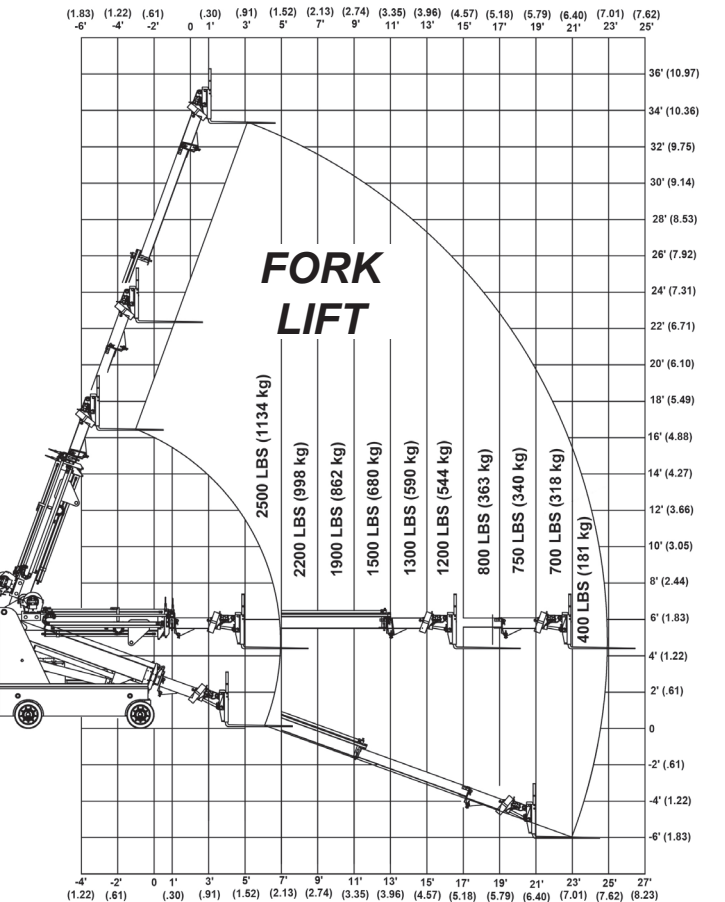
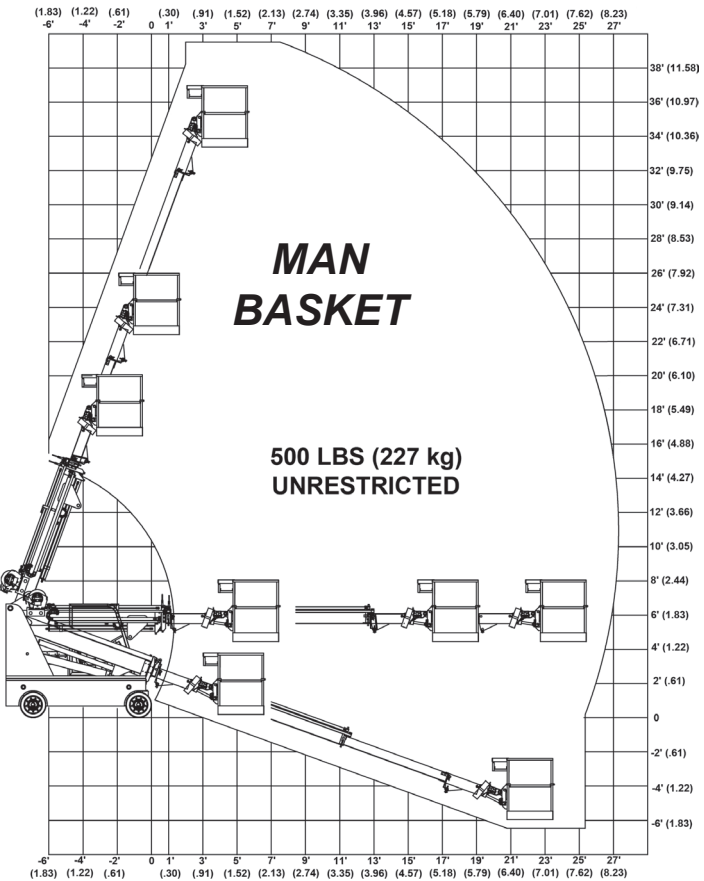
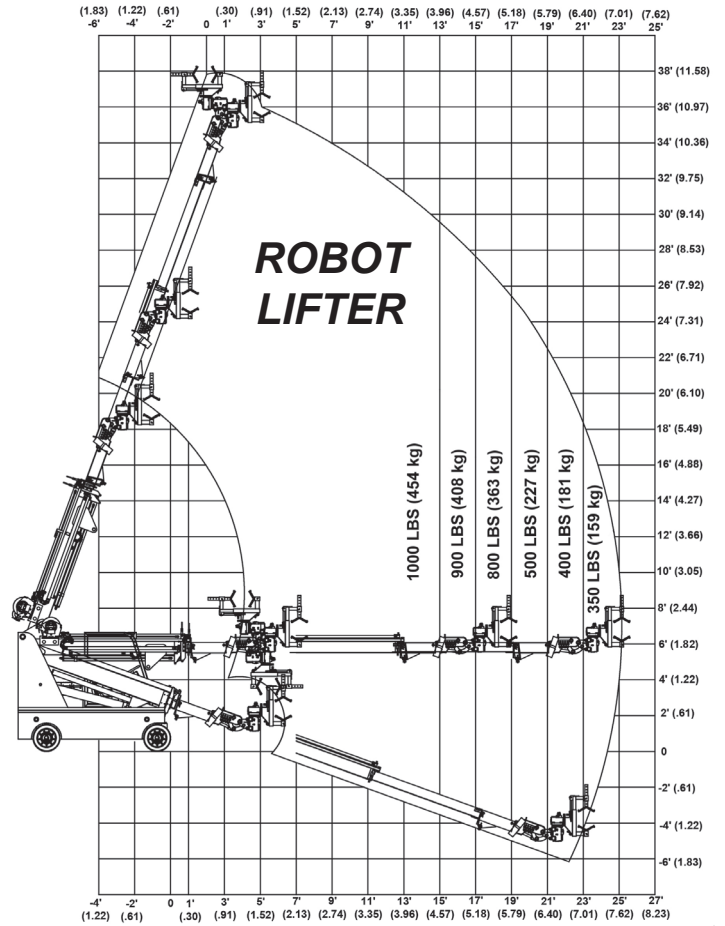
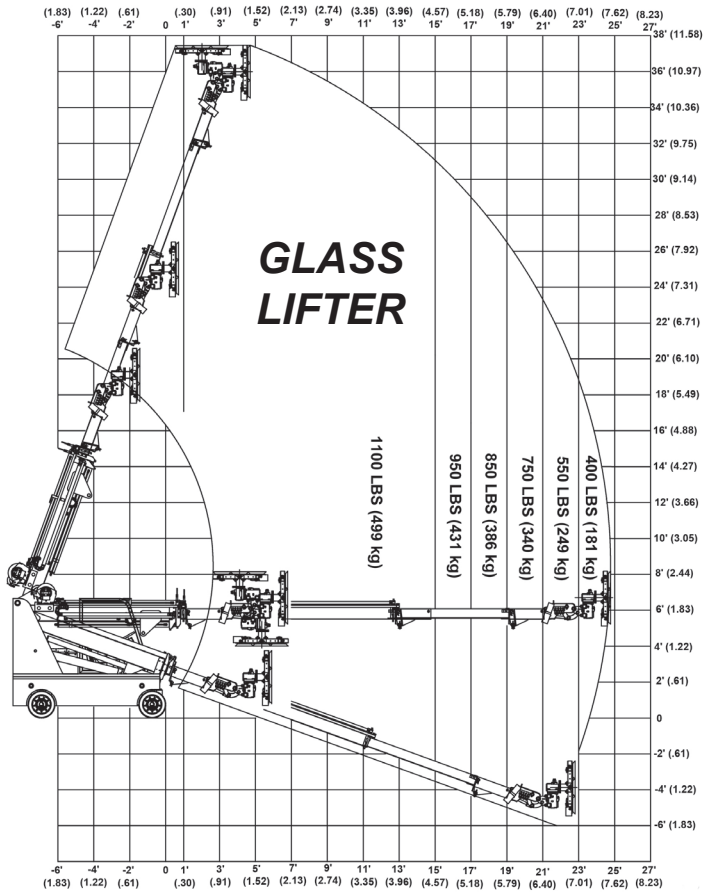


### WINCH

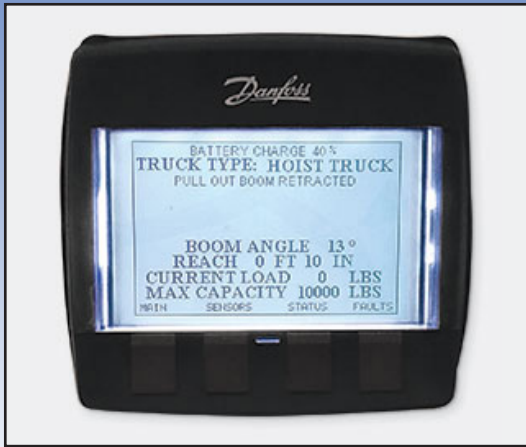
[1.22] (.61)    (.61) (.91) [1.52] [2.13] [2.74] [3.35] [3.96] [4.57] [5.18] [5.79] [6.40]  
-4' -2' 0'    2' 3' 5' 7' 9' 11' 13' 15' 17' 19' 21'



# ENGINEERING THE FUTURE OF LIFT EQUIPMENT



# Features

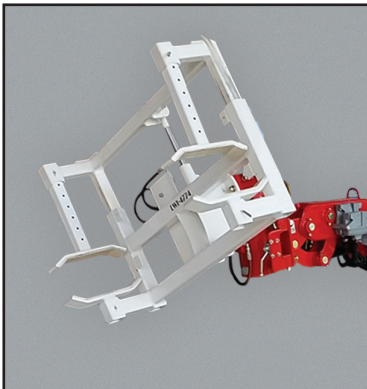


**Rated Load Limiter**  
Automatically detects attachment  
and adjusts loading parameters



**Radio Remote Control**  
For the no cab version

## Multiple Attachments



**Robot**



**Man Basket**



**Hoist Winch**



**Forks**



**Glass**



**Hanging Glass**

