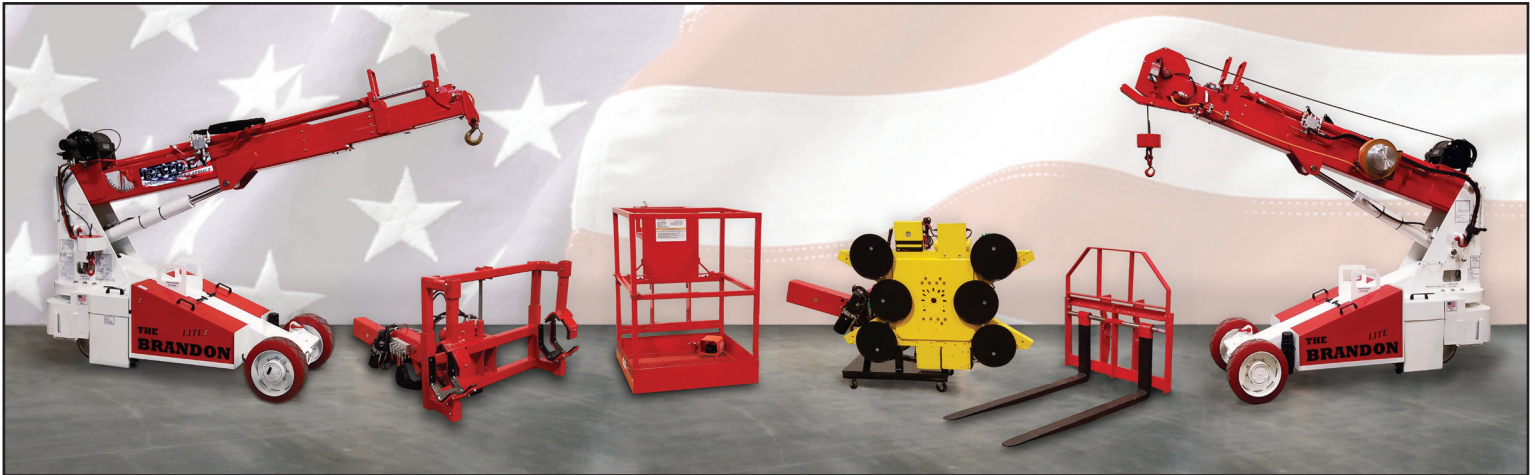


THE BRANDON™ LITE

The World's Most Versatile Lifting Machine



Model: Brandon Lite

Winch Capacity: 1,950 lbs

Hook Capacity: 5,000 lbs

Fork Capacity: 1,950 lbs

Glazier Capacity: 1,000 lbs

Robot or Jib Capacity: 1,000 lbs

Reach: Industry leading reach with below grade capability.

Battery Power: 24V 435Amp-Hour

Electric Motor: 6HP Fan Cooled DC

Weight: 4,300 lbs

Steering: Rear Wheel

Charger: On-board 110 Volts AC

Proportional Controls: Electric Joystick for Proportional Lift and Extend. Includes 2-Speed HI/LOW switch for precise slow speed control.

Boom: Base unit and 2 hydraulically telescoping sections.

Hydraulics: Gear Pump with Load Sense Dump.

Drive: Rear Wheel Hydraulic Drive with Joystick and Speed Dial to best provide inching control.

Rated Load Limiter: Displays rated load and actual load. Stops when rated load is reached. Detects which attachment is installed and automatically adjusts load parameters.

Progressive Function Control: Adjusts the maximum drive and lift speeds to limit unsafe operation based on the following:

- Steering Angle (Drive slow with tight radius)
- Boom Height and Reach
- Lifted Load (Slow when closer to limit)



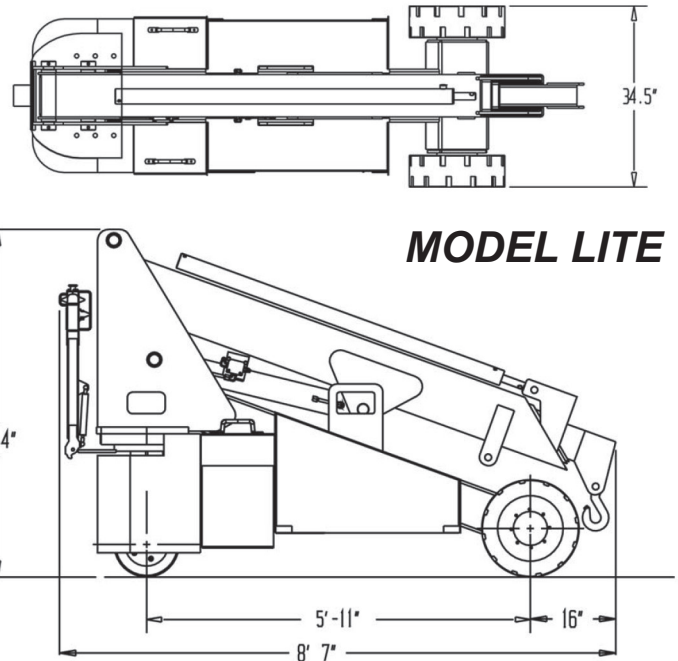
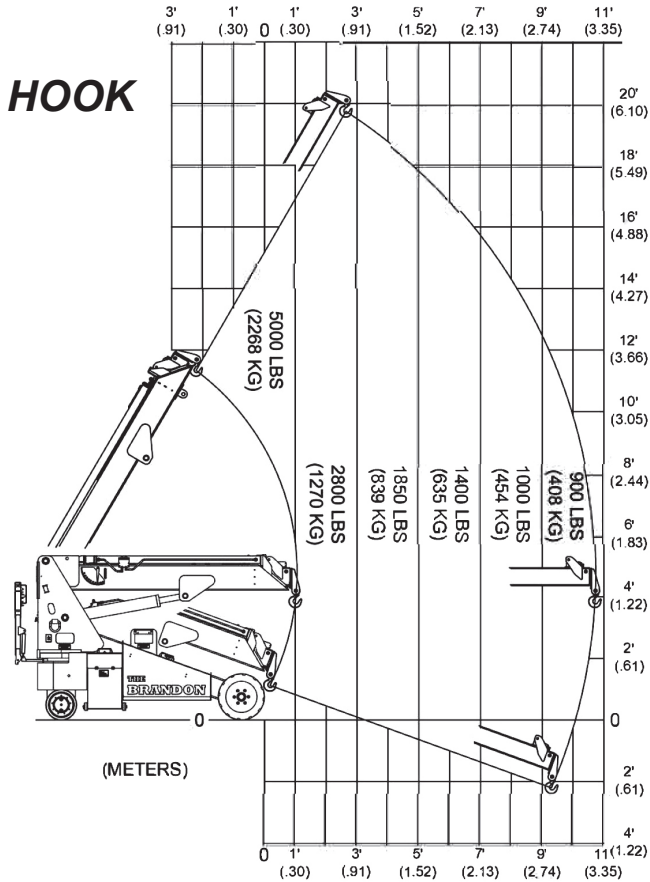
Radio Remote Controls



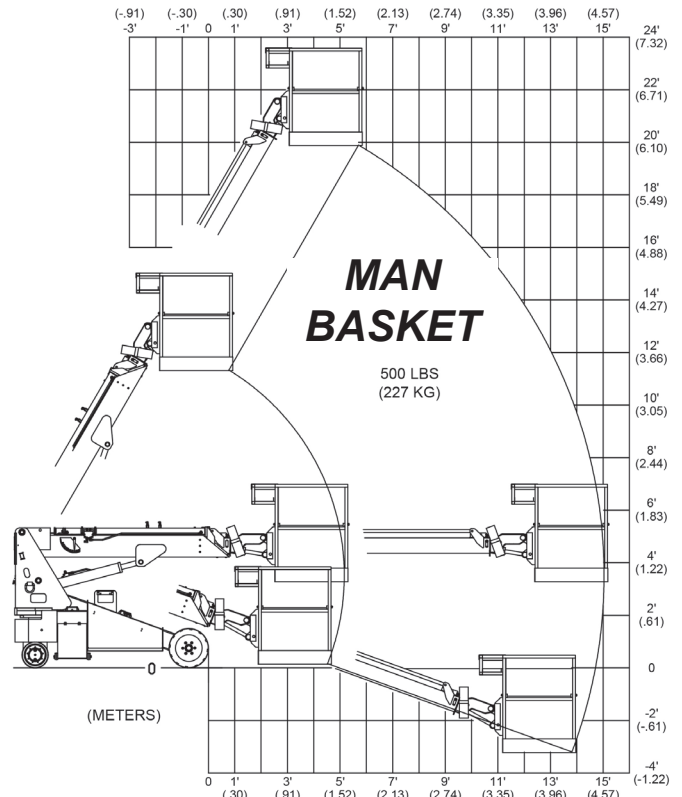
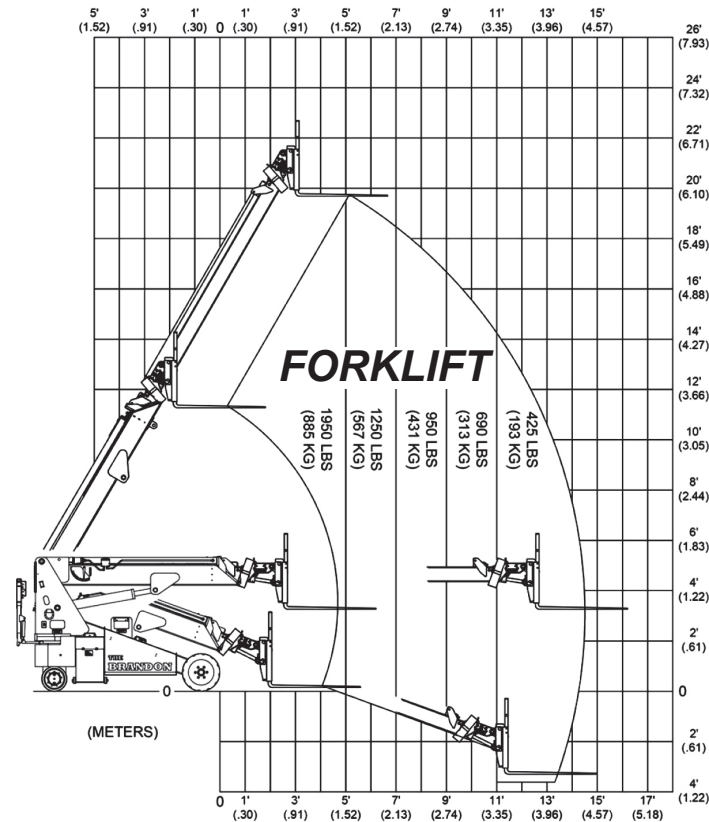
Walkie Handle

LOAD CAPACITY CHARTS

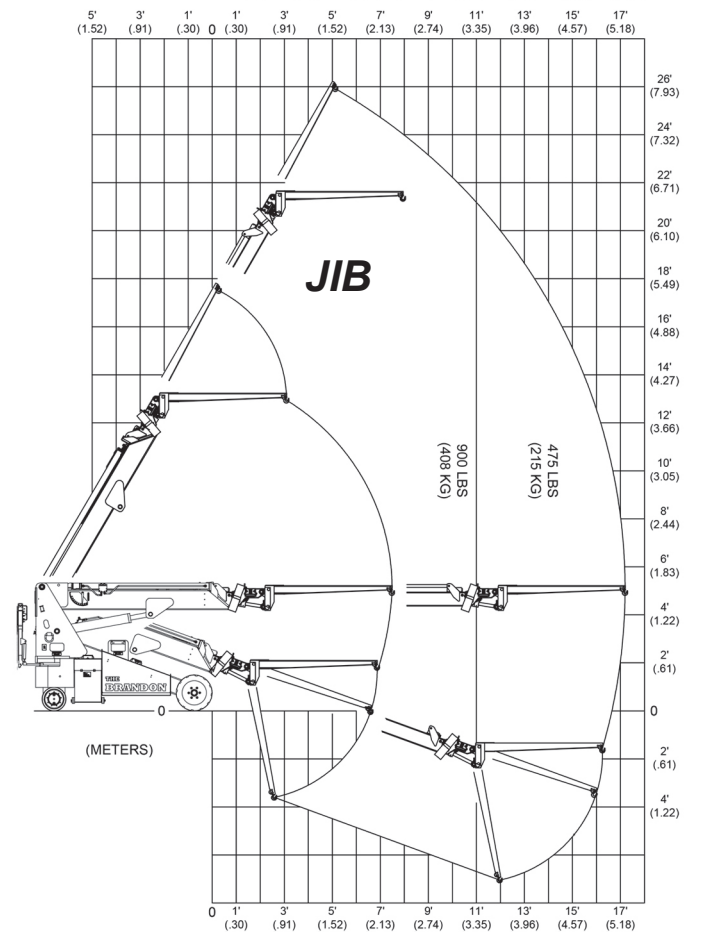
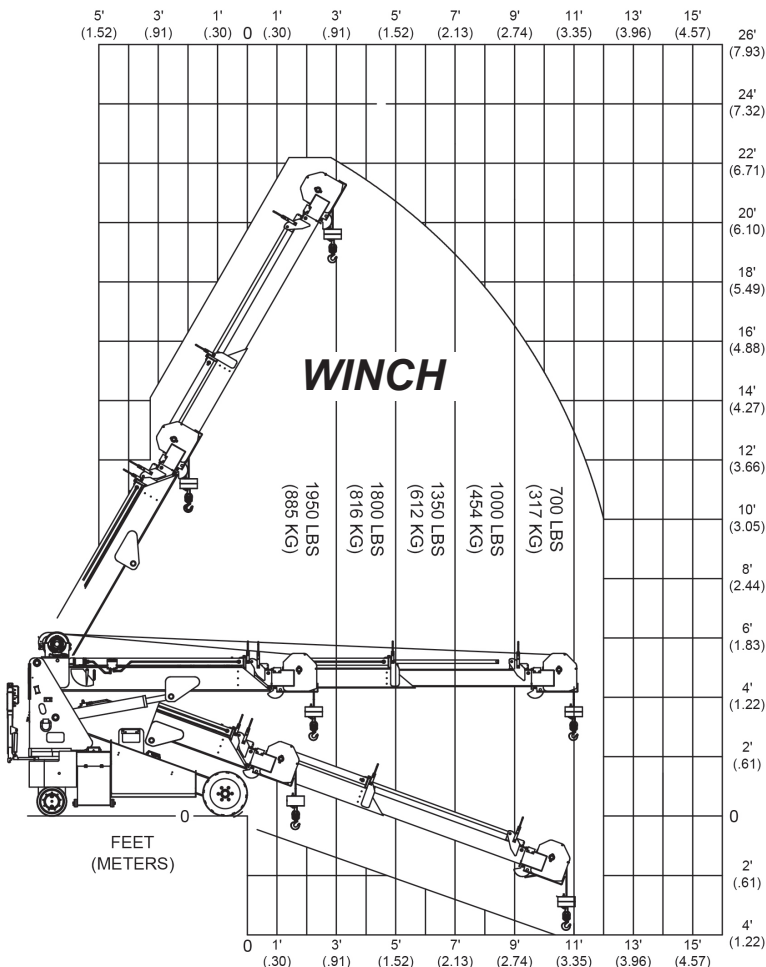
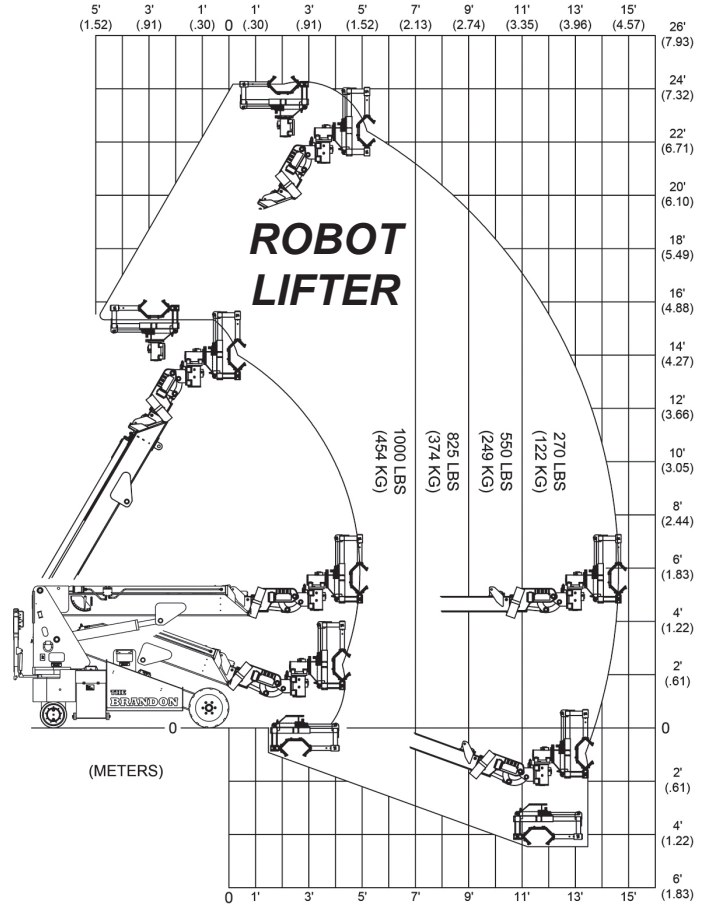
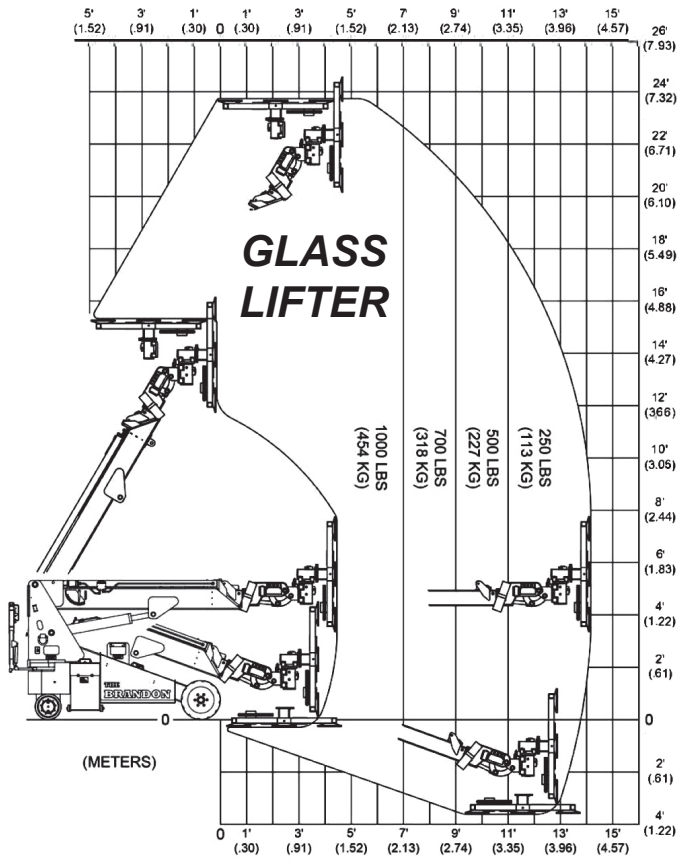
** MULTIPLE PATENTS PENDING**



MODEL LITE



ENGINEERING THE FUTURE OF LIFT EQUIPMENT



Features



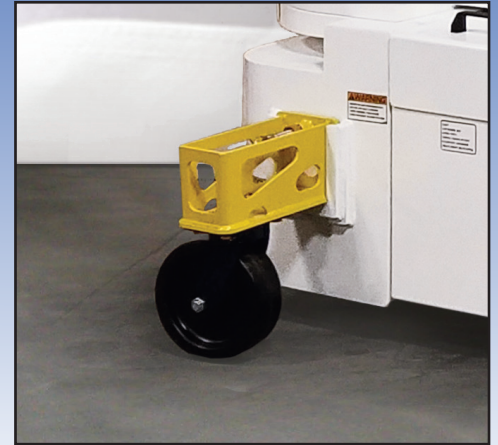
Rated Load Limiter

Automatically detects attachment and adjusts loading parameters.



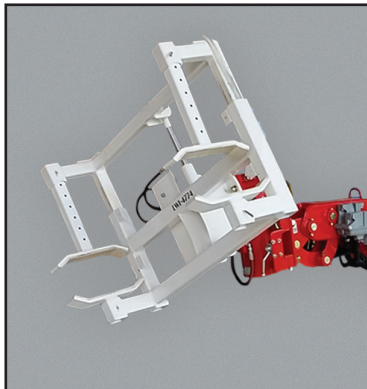
Removable Battery Box

For multi-shift operation. Patented design loads without external sources.



Optional Stabilizers

Multiple Attachments



Robot



Man Basket



Winch



Forks



Glass



Hanging Glass

