



THE BRANDON™ LITE GLASS-LIFTER

Model: Brandon Lite Glass Lifter

Load Capacity: 1,000 lbs (453 kg)

Power: 24V 435Amp-Hour

Boom: Base unit and 2 hydraulically telescoping sections.

Drive Speed: 1.75MPH (2.8 km/h)

Steering: Rear Wheel +/- 80 degrees

Drive: Rear Wheel Hydraulic Drive with Joystick and Speed Dial to best provide inching control.

Battery: 24volt, 435 amp-hour

Weight: 4,300 Lbs, 1950 kg

Rated Load Limiter: Displays rated load and actual load. Stops when rated load is reached. Detects which attachment is installed and automatically adjusts load parameters.

Charger: On-board 110V, 10AC Amps, 40DC Amps

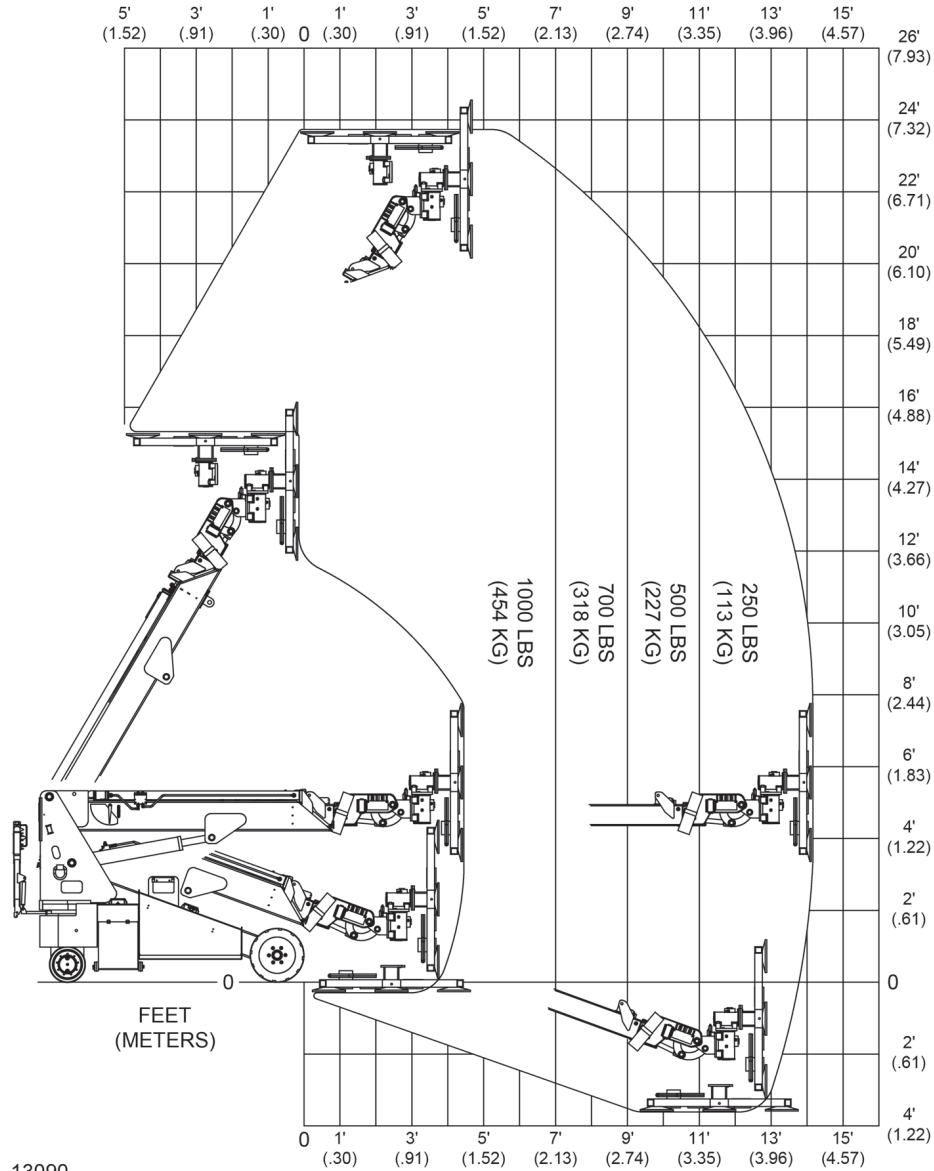
System Display: Includes Rated Load Limiter, vacuum system status and system information.

Glass Actuator Control: Dedicated power unit at tip with proportional motor control for precise feathering of all functions.



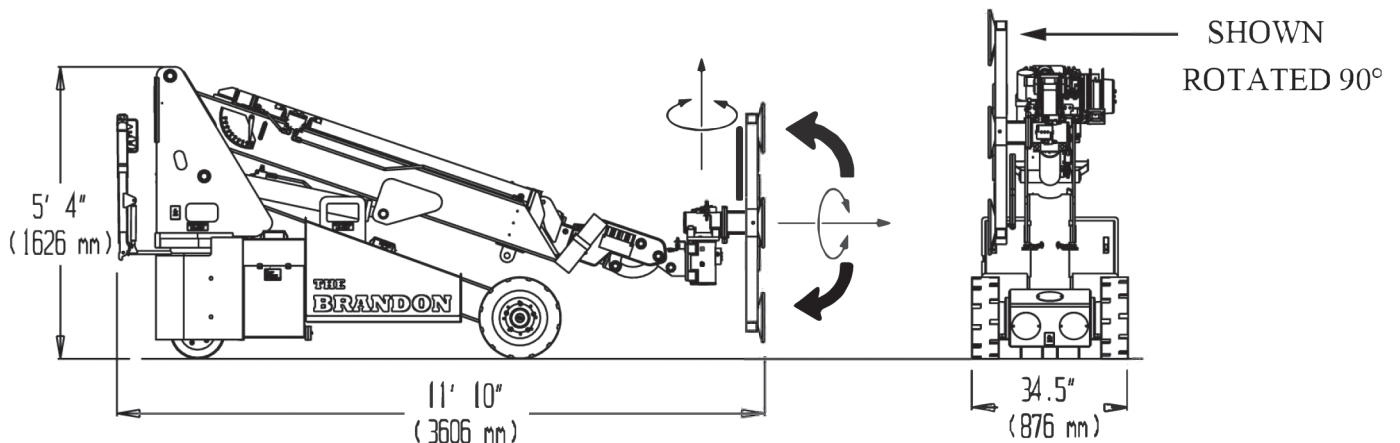
ENGINEERING THE FUTURE OF LIFT EQUIPMENT

GLASS LOAD CAPACITY CHART



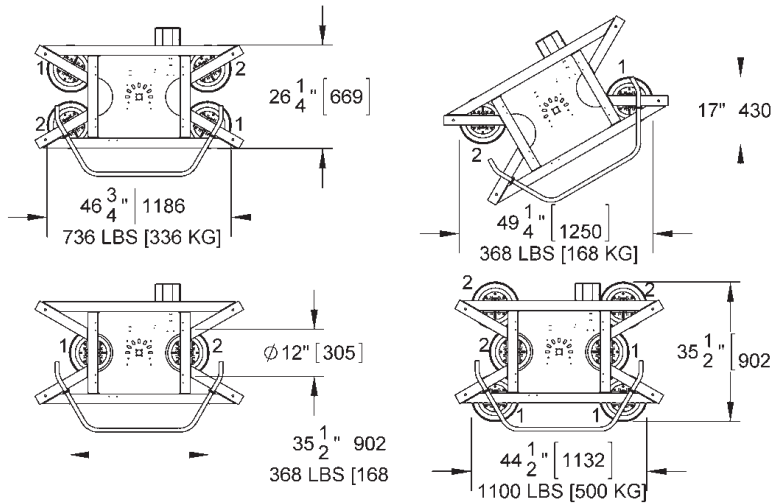
13090

Three 180° Rotary Actuators Provide Precise Positioning

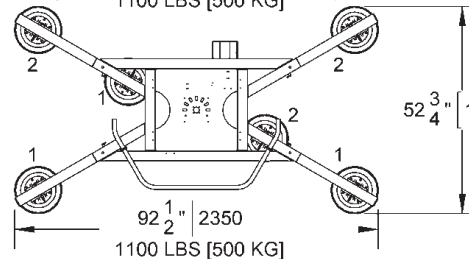
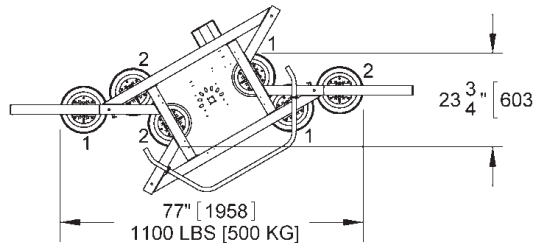
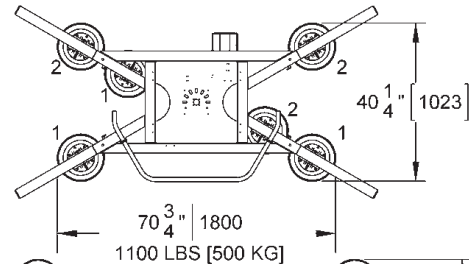
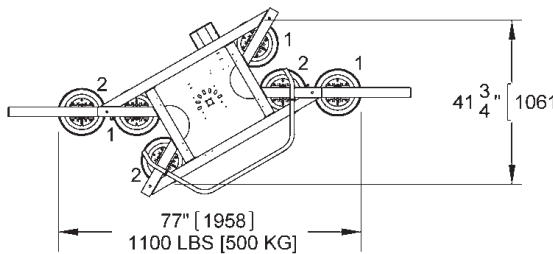
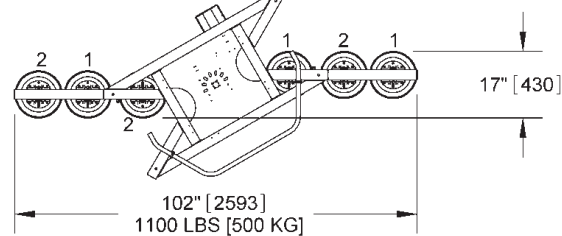
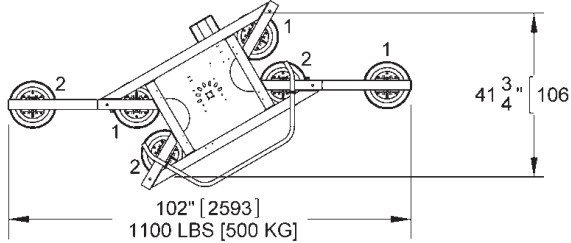
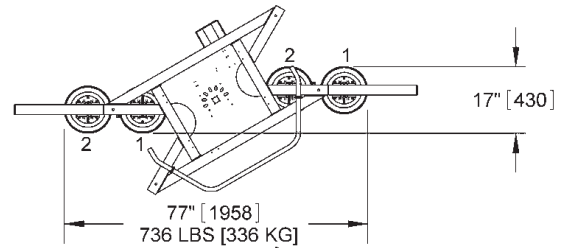
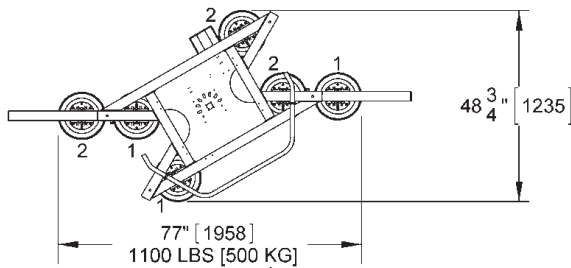


** MULTIPLE PATENTS PENDING**

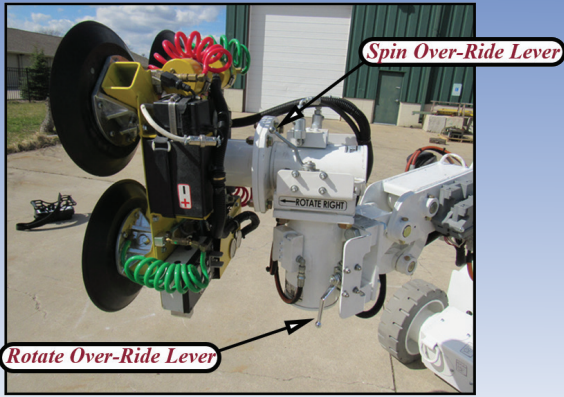
Frame Configurations and Capacities



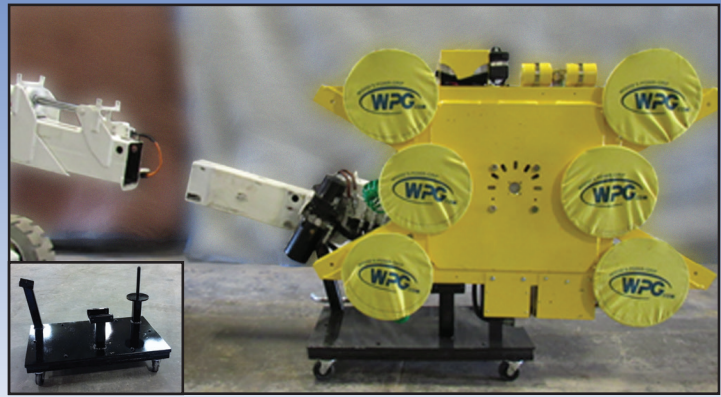
- Dual Vacuum System
- 6 11" (28mm) Pads
- 12 Volt System
- Many Configurations



Features

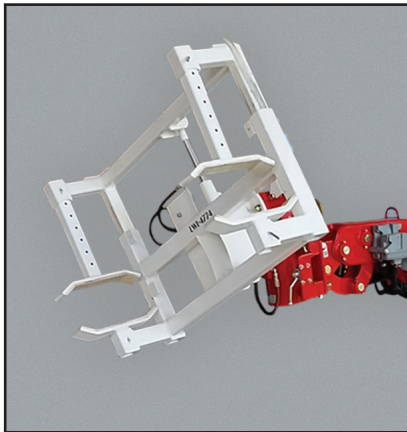


Manual over-ride for quick, precise adjustments



Tip assembly unloads on cart for tight access maneuvering

Multiple Attachments



Robot



Man Basket



Hoist Winch



Forks



Glass



Hanging Glass

